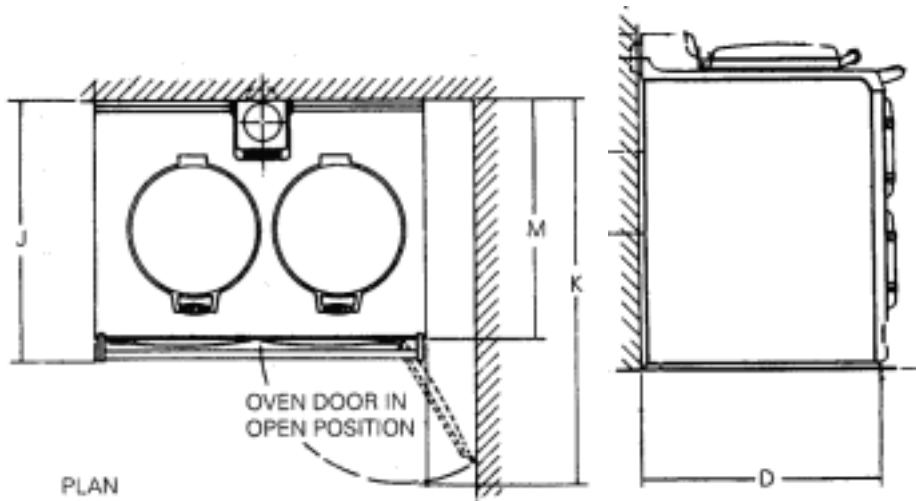


Dimensions

Depth. (front to back) (All Models)



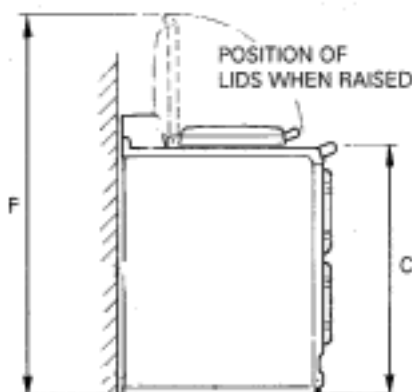
Dimension 'J' is overall extremities including the handrail, at 756mm. Allow extra if Aga is sited away from the rear wall with a gap.

Dimension 'K' includes the clearance necessary for the doors to open, 1125mm.

Dimension 'M' refers to the depth up to the overhang of the top plate, 698mm.

Dimension 'D' at 679mm, is the depth of the cooker base plate and to which any plinth or hearth should be constructed, but allow extra if the cooker is spaced away from the rear wall.

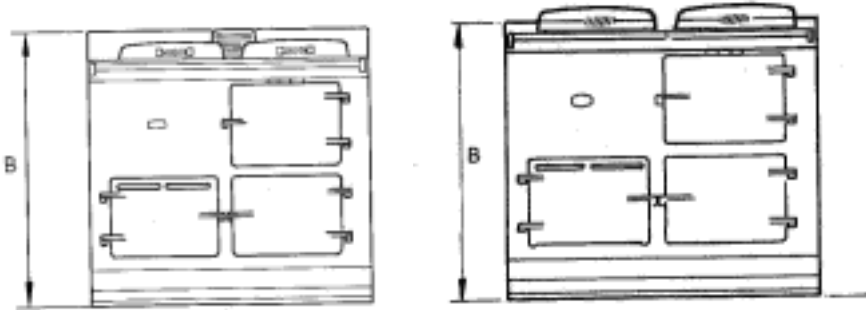
Height. (All Models except TCA)



'C' is the height to the working surface. --- 851mm (910mm TCA model)

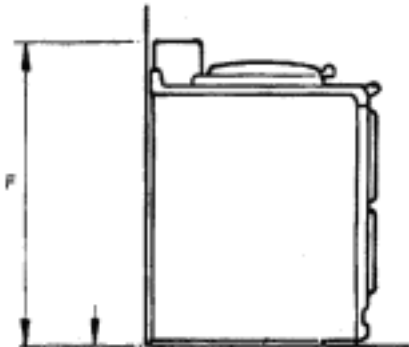
'F' is the distance reached by the lids when fully open, - 1330mm (1385mm TCA model), but allow extra clearance for comfortable handling.

'B' Some models (Electric & Gas PF) have a raised, cast-iron shroud along the top rear edge at a height of 967mm, others merely have a raised lip at 889mm. (945mm TCA model)

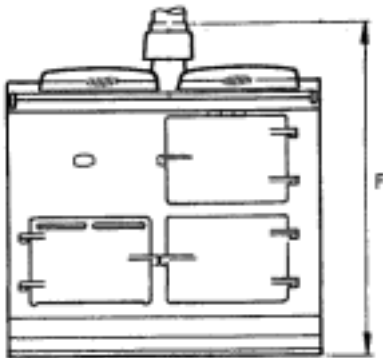


Solid Fuel, Oil and Gas (OF) fired models have a top flue connection, 'F' at a height of 959mm for Kerosene Oil & Solid Fuel, 1151mm for diesel and 1035mm for Gas cookers.

Solid Fuel & Oil



Gas

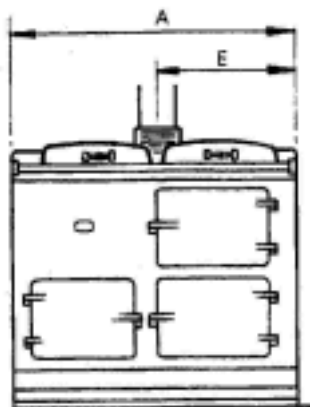


Width.

IMPORTANT. It is a natural feature of cast iron components that the finished dimensions will

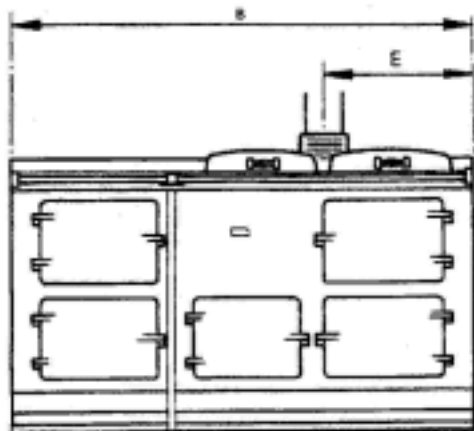
vary. Consequently, if the Aga is to be situated into a tight recess, then at least 10mm should be added to these dimensions to ensure sufficient clearance

Aga Cookers are assembled from modules of standard widths, according to the module chosen, but regardless of fuel type.



2 and 3 Oven Models. Dimension 'A' is the overall width at 987mm.

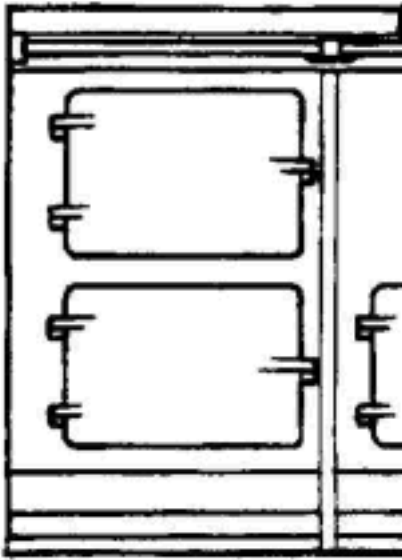
Note that the flue pipe connection is not central, but is off-set towards the right hand side at dimension 'E' 467mm. This applies to all open flue models.



4 Oven Model. Dimension 'B' is the overall width at 1487mm

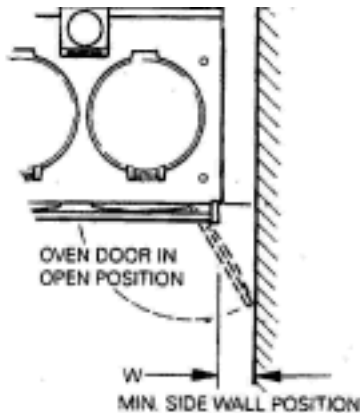
An Electric or Gas Aga module option may be fitted to the left hand side of the 'parent' Aga cooker and the dimensions are then increased as shown below.

**Add 611mm to overall width.
2 & 3 oven cookers become
1598mm
4 oven 2098mm**



There are also several other factors affecting the width of the recess and the clearances required.

If the right-hand wall protrudes forward beyond the front of the Aga, then additional clearance is required as shown in dimension 'W' 116mm.



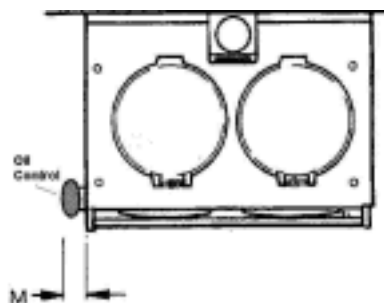
This is to allow the oven doors to hinge open beyond 90 degrees, so as to be able to remove the oven shelves etc.

3 Oven models also require this gap on their left hand side.

On a kerosene oil-fired cooker, where the control valve is sited on the right-hand side panel there is no need to consider the 116mm, as there is a separate requirement for a clearance

of 300mm. See below

A kerosene oil-fired cooker has an oil control valve fitted externally to its left or right hand side panel, thus extending the overall width, although it can be accommodated within the adjacent work unit.



(Does not apply to Diesel (gas-oil) models.)

Where the cooker is fitted in a tight recess then an extra clearance of 'M' 300mm should be added to the normal width dimensions.

If the right hand wall extends beyond the front of the Aga, and the oil control is fitted to the right-hand side, then the gap should be 300mm on the right, which will also take into account the 116mm referred to above, for door opening clearance.